

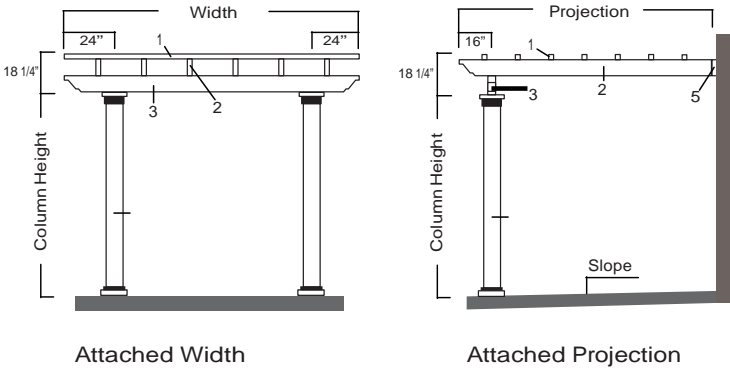


Specify pergola attachment

Attached Pergola

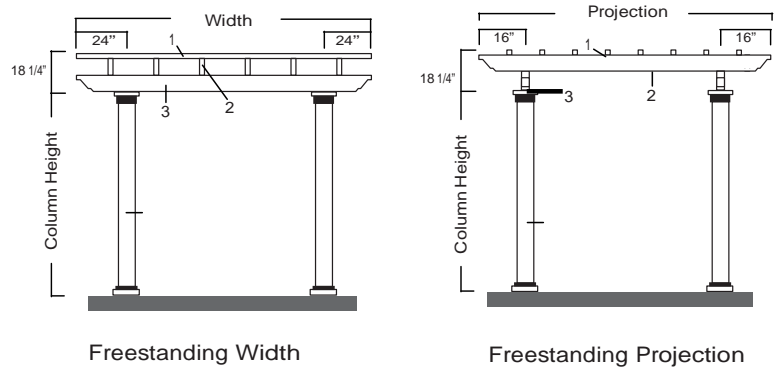
Attached on more than one side?

An attached pergola has two columns supporting a single beam on one side and a ledger attached to a structure to support the rafters on the opposite side.



Freestanding Pergola

A freestanding pergola has four total columns, two columns supporting one beam on each side of the pergola.



Specify pergola

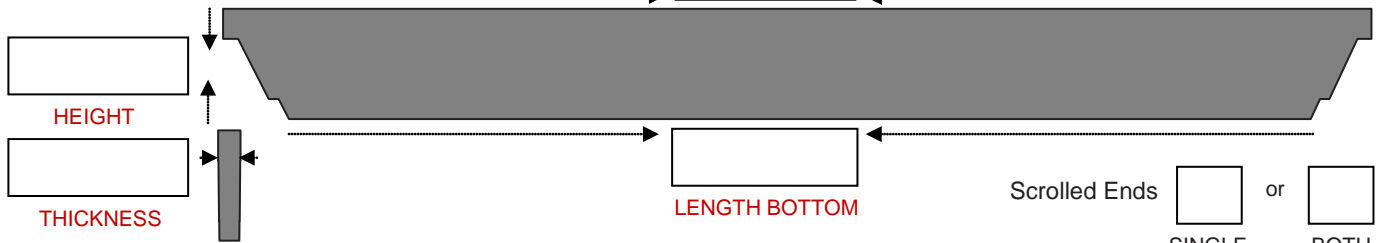
Type of Materials
Ex. Cedar, PVC, Wrapped, etc.

Number of Lath

SIZE OF UNIT

LENGTH TOP

Size of Lath



Number of Beams

Number of Joists

Spacing of Joists

Specify pergola columns and details

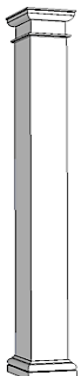
Number of Columns

Column Width

Column Height

Type of Columns

Type of Materials
Ex. Cedar, PVC, Wrapped, etc.



Full Description | Special Information